



# MODULAR VOLUME CHAMBER, FILTER & SEQUENCE VALVE

## R-801



### Filter

#### Features:

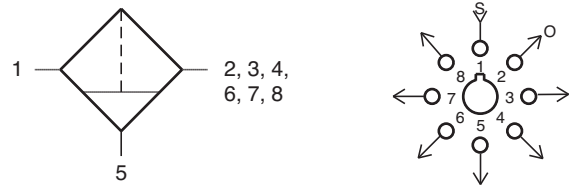
- Multiple porting speeds piping
- Clean out port for easy maintenance
- Protects system - assures proper functioning
- Replaceable filter element (Part no. R-801-14)

#### Performance:

**Flow:** 12 scfm @ 100 psig; 339 l/min @ 6.9 bars

**Temperature:** 32 to 180°F

**Working Pressure:** 0 to 150 psig; 0 to 10.3 bars



#### Description:

R-801 is a 25 micron filter with multiple outlets at ports 2, 3, 4, 6, 7 and 8 to minimize need for fittings. Port 5 is a drain and should be plugged; however, when the valve is mounted vertically port 5 can be tubed to a drain. Unused ports should be plugged.

## R-811

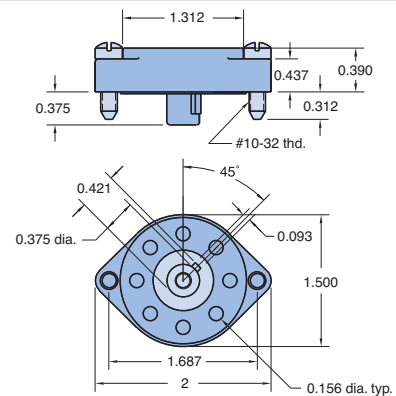


### Connector

Connects to subplate R-101/R101-M5, R-111/R-111-M5 and manifolds

#### Description:

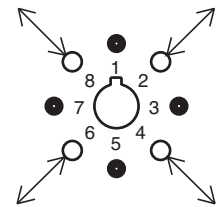
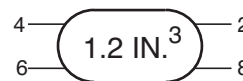
R-811 is an octoport connector that provides rapid and accurate connection of up to eight hoses. Truly a convenience connection; saves time; eliminates mistakes.



## R-821



### Volume Chamber



#### Description:

Volume chamber provided in standard, plug-in Clippard Minimatic® module body, using standardized octoport. May be used for providing time delay in pneumatic circuits. This model has 1.2 cubic inch volume chamber.

## R-901



### Sequence Valve

#### Features:

- Indicator shows valve position
- Micro gap construction - snap action and no blow by
- Balanced design allows speed control at exhausts

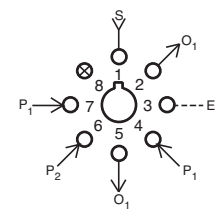
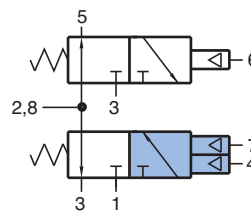
#### Performance:

**Flow:** 9 scfm @ 100 psig; 255 l/min @ 6.9 bars

**Pilot Pressure Minimum:** 40 psig; 2.8 bars

**Temperature:** 32 to 180°F

**Working Pressure:** 0 to 150 psig; 0 to 10.3 bars



#### Description:

R-901 is a dual element combination consisting of a 3-way Normally-closed, spring return air piloted valve and a 3-way Normally-open, spring return, air piloted valve. One of the outputs of the N.C. valve is the input to the N.O. valve. A valve position indicator is provided for the N.C. valve. The R-901 is intended for use in sequential stepping control circuits.